

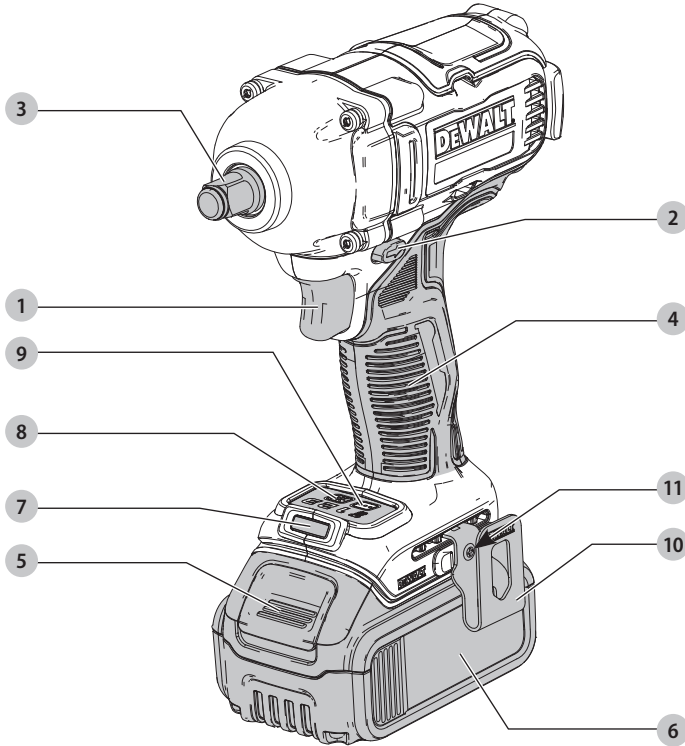
DCF891, DCF892

20V Max* 1/2" Mid-Range Impact Wrench

Clé à chocs de milieu de gamme 20 V max* 1/2 po

Llave de Impacto de Rango Medio de 20 V Máx* 1/2"

Fig. A




- 1 Trigger switch
- 2 Forward/reverse control button
- 3 Anvil
- 4 Main handle
- 5 Battery release button
- 6 Battery pack
- 7 Worklight
- 8 Worklight switch
- 9 Mode selector
- 10 Belt hook (optional accessory)
- 11 Mounting screw

- 1 Gâchette
- 2 Bouton de commande avancer/reculer
- 3 Enclume
- 4 Poignée principale
- 5 Bouton de libération de la pile
- 6 Bloc-piles
- 7 Lampe de travail
- 8 Commutateur de la lampe de travail
- 9 Sélecteur de mode
- 10 Agrafe pour courroie (accessoire optionnel)
- 11 Vis de montage

- 1 Interruptor de gatillo
- 2 Botón de control de avance/reversa
- 3 Yunque
- 4 Manija principal
- 5 Botón de liberación de batería
- 6 Paquete de batería
- 7 Luz de trabajo
- 8 Interruptor de luz de trabajo
- 9 Selector de modo
- 10 Gancho de cinturón (accesorio opcional)
- 11 Tornillo de montaje

If you have questions or comments, contact us.
Pour toute question ou tout commentaire, nous contacter.
Si tiene dudas o comentarios, contáctenos.


www.DEWALT.com
1-800-4-DEWALT


 **WARNING:** Read all safety warnings, instructions, illustrations, and specifications in this manual, including the battery and charger sections provided in an original tool manual or the separate Batteries and Chargers manual.


Manuals can be obtained by contacting Customer Service as described elsewhere in this manual. Failure to follow the warnings and instructions may result in electric shock, fire and/or serious injury.

Definitions: Safety Alert Symbols and Words

This instruction manual uses the following safety alert symbols and words to alert you to hazardous situations and your risk of personal injury or property damage.


 **DANGER:** Indicates an imminently hazardous situation which, if not avoided, **will** result in **death or serious injury**.

 **WARNING:** Indicates a potentially hazardous situation which, if not avoided, **could** result in **death or serious injury**.

 **CAUTION:** Indicates a potentially hazardous situation which, if not avoided, **may** result in **minor or moderate injury**.

 (Used without word) Indicates a safety related message.


NOTICE: Indicates a practice not related to personal injury which, if not avoided, **may** result in **property damage**.


 **AVERTISSEMENT :** lire tous les avertissements de sécurité, les instructions, les illustrations et les caractéristiques de ce manuel, y compris les sections sur les piles et les chargeurs fournies dans un manuel d'origine de l'outil ou dans le manuel séparé sur les piles et les chargeurs. Les manuels peuvent être obtenus en contactant le service à la clientèle comme indiqué ailleurs dans ce manuel. Le fait de ne pas suivre les avertissements et les instructions peut entraîner un choc électrique, un incendie et/ou des blessures graves.


Définitions : symboles et termes d'alarmes sécurité
Ces guides d'utilisation utilisent les symboles et termes d'alarmes sécurité suivants pour vous prévenir de situations dangereuses et de risques de dommages corporels ou matériels.


Définitions : symboles et termes d'alarmes sécurité

Ces guides d'utilisation utilisent les symboles et termes d'alarmes sécurité suivants pour vous prévenir de situations dangereuses et de risques de dommages corporels ou matériels.


 **DANGER :** indique une situation dangereuse imminente qui, si elle n'est pas évitée, **entraînera la mort ou des blessures graves**.

 **AVERTISSEMENT :** indique une situation potentiellement dangereuse qui, si elle n'est pas évitée, **pourrait entraîner la mort ou des blessures graves**.

 **ATTENTION :** indique une situation potentiellement dangereuse qui, si elle n'est pas évitée, **pourrait entraîner des blessures légères ou modérées**.

 (Si utilisé sans aucun terme) Indique un message propre à la sécurité.


AVIS : indique une pratique ne posant **aucun risque de dommages corporels** mais qui par contre, si rien n'est fait pour l'éviter, **pourrait** poser des **risques de dommages matériels**.


 **ADVERTENCIA:** Lea todas las advertencias de seguridad, instrucciones, ilustraciones y especificaciones de este manual, incluyendo las secciones sobre la batería y el cargador proporcionadas en un manual original de la herramienta o en el manual de Baterías y Cargadores por separado. Los manuales se pueden obtener poniéndose en contacto con el Servicio de atención al cliente como se describe en otra parte de este manual. La falla en seguir las advertencias e instrucciones puede resultar en descarga eléctrica, incendio y/o lesiones serias.


Definiciones: Símbolos y Palabras de Alerta de Seguridad
Este manual de instrucciones utiliza los siguientes símbolos y palabras de alerta de seguridad para alertarle de situaciones peligrosas y del riesgo de lesiones corporales o daños materiales.

Definiciones: Símbolos y Palabras de Alerta de Seguridad

Este manual de instrucciones utiliza los siguientes símbolos y palabras de alerta de seguridad para alertarle de situaciones peligrosas y del riesgo de lesiones corporales o daños materiales.

 **PELIGRO:** Indica una situación de peligro imminente que, si no se evita, **provocará la muerte o lesiones graves**.

 **ADVERTENCIA:** Indica una situación de peligro potencial que, si no se evita, **podría provocar la muerte o lesiones graves**.

 **ATENCIÓN:** Indica una situación de peligro potencial que, si no se evita, **posiblemente provocaría lesiones leves o moderadas**.

 (Utilizado sin palabras) Indica un mensaje de seguridad relacionado.

AVISO: Se refiere a una práctica **no relacionada a lesiones corporales** que de no evitarse **puede** resultar en **daños a la propiedad**.

English (**original instructions**)

2

Français (traduction de la notice d'instructions originale)

7

Español (traducido de las instrucciones originales)

12

Fig. B

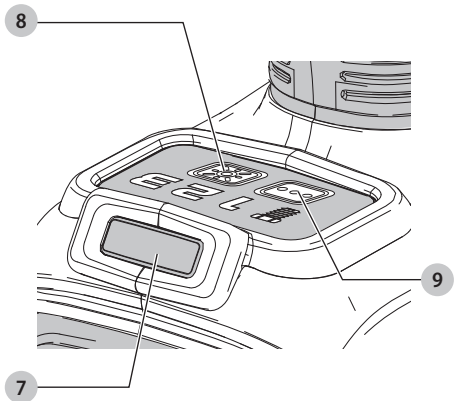


Fig. C

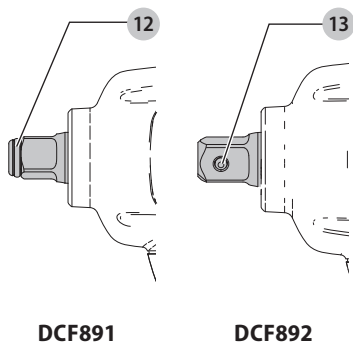


Fig. D

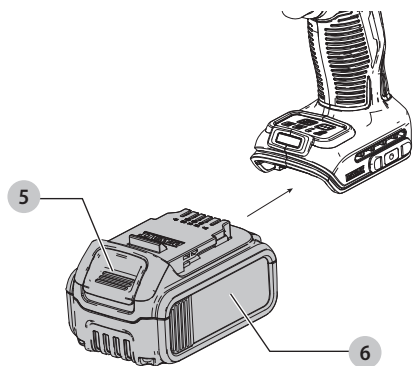
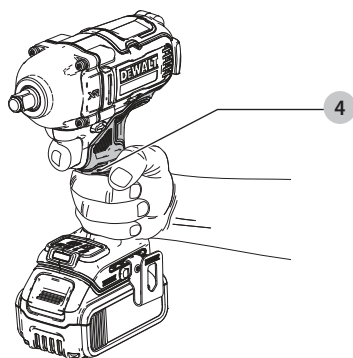


Fig. E



Intended Use

This impact wrench is designed for professional impact fastening and drilling applications. The impact function makes this tool particularly useful for driving fasteners in wood, metal and concrete.

DO NOT use under wet conditions or in presence of flammable liquids or gases.

DO NOT let children come into contact with the tool. Supervision is required when inexperienced operators use this tool.

GENERAL POWER TOOL SAFETY WARNINGS

▲ WARNING: Read all safety warnings, instructions, illustrations and specifications provided with this power tool. Failure to follow all instructions listed below may result in electric shock, fire and/or serious injury.

SAVE ALL WARNINGS AND INSTRUCTIONS FOR FUTURE REFERENCE.

The term "power tool" in the warnings refers to your mains-operated (corded) power tool or battery-operated (cordless) power tool.

1) Work Area Safety

- a) **Keep work area clean and well lit.** Cluttered or dark areas invite accidents.
- b) **Do not operate power tools in explosive atmospheres, such as in the presence of flammable liquids, gases or dust.** Power tools create sparks which may ignite the dust or fumes.
- c) **Keep children and bystanders away while operating a power tool.** Distractions can cause you to lose control.

2) Electrical Safety

- a) **Power tool plugs must match the outlet. Never modify the plug in any way. Do not use any adapter plugs with earthed (grounded) power tools.** Unmodified plugs and matching outlets will reduce risk of electric shock.
- b) **Avoid body contact with earthed or grounded surfaces, such as pipes, radiators, ranges and refrigerators.** There is an increased risk of electric shock if your body is earthed or grounded.
- c) **Do not expose power tools to rain or wet conditions.** Water entering a power tool will increase the risk of electric shock.
- d) **Do not abuse the cord. Never use the cord for carrying, pulling or unplugging the power tool. Keep cord away from heat, oil, sharp edges or moving parts.** Damaged or entangled cords increase the risk of electric shock.
- e) **When operating a power tool outdoors, use an extension cord suitable for outdoor use.** Use of a cord suitable for outdoor use reduces the risk of electric shock.
- f) **If operating a power tool in a damp location is unavoidable, use a ground fault circuit interrupter (GFCI) protected supply.** Use of a GFCI reduces the risk of electric shock.

3) Personal Safety

- a) **Stay alert, watch what you are doing and use common sense when operating a power tool. Do not use a power tool while you are tired or under the influence of drugs, alcohol or medication.** A moment of inattention while operating power tools may result in serious personal injury.

b) **Use personal protective equipment. Always wear eye protection.** Protective equipment such as a dust mask, non-skid safety shoes, hard hat, or hearing protection used for appropriate conditions will reduce personal injuries.

c) **Prevent unintentional starting. Ensure the switch is in the off-position before connecting to power source and/or battery pack, picking up or carrying the tool.** Carrying power tools with your finger on the switch or energizing power tools that have the switch on invites accidents.

d) **Remove any adjusting key or wrench before turning the power tool on.** A wrench or a key left attached to a rotating part of the power tool may result in personal injury.

e) **Do not overreach. Keep proper footing and balance at all times.** This enables better control of the power tool in unexpected situations.

f) **Dress properly. Do not wear loose clothing or jewelry. Keep your hair and clothing away from moving parts.** Loose clothes, jewelry or long hair can be caught in moving parts.

g) **If devices are provided for the connection of dust extraction and collection facilities, ensure these are connected and properly used.** Use of dust collection can reduce dust-related hazards.

h) **Do not let familiarity gained from frequent use of tools allow you to become complacent and ignore tool safety principles.** A careless action can cause severe injury within a fraction of a second.

4) Power Tool Use and Care

- a) **Do not force the power tool. Use the correct power tool for your application.** The correct power tool will do the job better and safer at the rate for which it was designed.
- b) **Do not use the power tool if the switch does not turn it on and off.** Any power tool that cannot be controlled with the switch is dangerous and must be repaired.
- c) **Disconnect the plug from the power source and/or remove the battery pack, if detachable, from the power tool before making any adjustments, changing accessories, or storing power tools.** Such preventive safety measures reduce the risk of starting the power tool accidentally.
- d) **Store idle power tools out of the reach of children and do not allow persons unfamiliar with the power tool or these instructions to operate the power tool.** Power tools are dangerous in the hands of untrained users.
- e) **Maintain power tools and accessories. Check for misalignment or binding of moving parts, breakage of parts and any other condition that may affect the power tool's operation. If damaged, have the power tool repaired before use.** Many accidents are caused by poorly maintained power tools.
- f) **Keep cutting tools sharp and clean.** Properly maintained cutting tools with sharp cutting edges are less likely to bind and are easier to control.
- g) **Use the power tool, accessories and tool bits, etc. in accordance with these instructions, taking into account the working conditions and the work to be performed.** Use of the power tool for operations different from those intended could result in a hazardous situation.
- h) **Keep handles and grasping surfaces dry, clean and free from oil and grease.** Slippery handles and grasping

surfaces do not allow for safe handling and control of the tool in unexpected situations.

5) Battery Tool Use and Care

- Recharge only with the charger specified by the manufacturer.** A charger that is suitable for one type of battery pack may create a risk of fire when used with another battery pack.
- Use power tools only with specifically designated battery packs.** Use of any other battery packs may create a risk of injury and fire.
- When battery pack is not in use, keep it away from other metal objects, like paper clips, coins, keys, nails, screws or other small metal objects, that can make a connection from one terminal to another.** Shorting the battery terminals together may cause burns or a fire.
- Under abusive conditions, liquid may be ejected from the battery; avoid contact. If contact accidentally occurs, flush with water. If liquid contacts eyes, additionally seek medical help.** Liquid ejected from the battery may cause irritation or burns.
- Do not use a battery pack or tool that is damaged or modified.** Damaged or modified batteries may exhibit unpredictable behavior resulting in fire, explosion or risk of injury.
- Do not expose a battery pack or tool to fire or excessive temperature.** Exposure to fire or temperature above 265 °F (130 °C) may cause explosion.
- Follow all charging instructions and do not charge the battery pack or tool outside the temperature range specified in the instructions.** Charging improperly or at temperatures outside the specified range may damage the battery and increase the risk of fire.

6) Service

- Have your power tool serviced by a qualified repair person using only identical replacement parts.** This will ensure that the safety of the power tool is maintained.
- Never service damaged battery packs.** Service of battery packs should only be performed by the manufacturer or authorized service providers.

Impact Wrench/Driver Safety

Warnings-All Operations

- Hold the power tool by insulated gripping surfaces when performing an operation where the fastener may contact hidden wiring.** Fasteners contacting a "live" wire may make exposed metal parts of the power tool "live" and could give the operator an electric shock.
- Wear ear protectors during use.** Exposure to noise can cause hearing loss.

▲ WARNING: Impact wrenches are not torque wrenches. DO NOT use this tool for tightening fasteners to specified torques. An independent, calibrated torque measurement device such as a torque wrench should be used when under-tightened or overtightened fasteners can lead to the failure of the joint.

- Use clamps or another practical way to secure and support the workpiece to a stable platform.** Holding the work by hand or against your body leaves it unstable and may lead to loss of control.
- Wear safety goggles or other eye protection. Hammering and drilling operations cause chips to fly.** Flying particles can cause permanent eye damage.

- Do not operate this tool for long periods of time. Vibration caused by tool action may be harmful to your hands and arms.** Use gloves to provide extra cushion and limit exposure by taking frequent rest periods.
- Accessories and tools get hot during operation.** Wear gloves when touching them.

Additional Safety Information

▲ WARNING: Never modify the power tool or any part of it. Damage or personal injury could result.

▲ WARNING: ALWAYS use safety glasses. Everyday eyeglasses are NOT safety glasses. Also use face or dust mask if cutting operation is dusty. ALWAYS WEAR CERTIFIED SAFETY EQUIPMENT:

- ANSI Z87.1 eye protection (CAN/CSA Z94.3),
- ANSI S12.6 (S3.19) hearing protection,
- NIOSH/OSHA/MSHA respiratory protection.

▲ WARNING: Some dust created by power sanding, sawing, grinding, drilling, and other construction activities contains chemicals known to the State of California to cause cancer, birth defects or other reproductive harm. Some examples of these chemicals are:

- lead from lead-based paints,
- crystalline silica from bricks and cement and other masonry products, and
- arsenic and chromium from chemically-treated lumber.

Your risk from these exposures varies, depending on how often you do this type of work. To reduce your exposure to these chemicals: work in a well ventilated area, and work with approved safety equipment, such as those dust masks that are specially designed to filter out microscopic particles.

- Wear protective clothing and wash exposed areas with soap and water.** Allowing dust to get into your mouth, eyes, or lay on the skin may promote absorption of harmful chemicals. Direct particles away from face and body.
- Use the appropriate dust extractor vacuum to remove the vast majority of static and airborne dust.** Failure to remove static and airborne dust could contaminate the working environment or pose an increased health risk to the operator and those in close proximity.
- Use clamps or other practical ways to secure and support the workpiece to a stable platform.** Holding the work by hand or against your body is unstable and may lead to loss of control and injury.
- Air vents often cover moving parts and should be avoided.** Loose clothes, jewelry or long hair can be caught in moving parts.

▲ CAUTION: When not in use, place tool on its side on a stable surface where it will not cause a tripping or falling hazard. Some tools with large battery packs will stand upright on the battery pack but may be easily knocked over.

The label on your tool may include the following symbols. The symbols and their definitions are as follows:

V	volts	IPM	impacts per minute
Hz	hertz	OPM	oscillations per minute
min	minutes	RPM	revolutions per minute
— — — or DC	direct current	sfpm	surface feet per minute
Ⓢ	Class 1 Construction (grounded)	SPM	strokes per minute
.../min	per minute	A	amperes
BPM	beats per minute	W	watts
		Wh	watt hours

ENGLISH

Ah.....	amp hours	⚠.....	safety alert symbol
~ or AC.....	alternating current	☠.....	visible radiation—do not stare into the light
⎓ or AC/DC.....	alternating or direct current	☁.....	wear respiratory protection
□.....	Class II Construction (double insulated)	👁.....	wear eye protection
n ₀	no load speed	👂.....	wear hearing protection
n.....	rated speed	📖.....	read all documentation
PSI.....	pounds per square inch	🚫.....	do not expose to rain
⊕.....	earthing terminal		

ASSEMBLY AND ADJUSTMENTS

▲ **WARNING:** To reduce the risk of serious personal injury, turn unit off and remove the battery pack before making any adjustments or removing/installing attachments or accessories. An accidental start-up can cause injury.

Anvil (Fig. A, C)

▲ **WARNING:** Use only impact accessories. Non-impact accessories may break and cause a hazardous condition. Inspect accessory prior to use to ensure that it contains no cracks.

▲ **CAUTION:** Inspect anvils, detent pins, and hog rings prior to use. Missing or damaged items should be replaced before use.

Place the switch in the locked off (center) position or remove battery pack before changing accessories.

Anvil with Detent Pin (Fig. A, E)

DCF892

To install an accessory on the anvil, align the hole in the side of the accessory with the detent pin **13** on the anvil **3**. Press the accessory on until the detent pin engages in the hole. Depression of detent pin may be necessary to aid installation of accessory.

To remove an accessory, depress the detent pin through the hole and pull the accessory off.

Anvil With Hog Ring (Fig. A, E)

DCF891

To install an accessory on the hog ring anvil, firmly push accessory onto the anvil **3**. The hog ring **12** compresses to allow the accessory to slide on. After accessory is installed, the hog ring applies pressure to help provide accessory retention.

To remove an accessory, grasp the accessory and firmly pull it off.

Belt Hook (Fig. A)

Included with Some Models

▲ **WARNING:** To reduce the risk of serious personal injury, ONLY use the tool's belt hook to hang the tool from a work belt. DO NOT use the belt hook for tethering or securing the tool to a person or object during use. DO NOT suspend tool overhead or suspend objects from the belt hook.

▲ **WARNING:** To reduce the risk of serious personal injury, ensure the screw holding the belt hook is secure.

IMPORTANT: When attaching or replacing a belt hook, use only the screw that is provided. Be sure to securely tighten the screw.

A belt hook **10** can be attached to either side of the tool using only the screw **11** provided, to accommodate left- or right-handed users. If the belt hook is not desired at all, it can be removed from the tool.

To move the belt hook, remove the screw **11** that holds it in place then reassemble on the opposite side. Be sure to securely tighten the screw.

Mode Selector (Fig. A, B)

Your tool is equipped with a mode selector **9** which allows you to select one of three speeds or Precision Wrench™ mode. Select the mode based on the maximum speed/torque needed and control the speed of the tool using the variable speed trigger switch **1**.

Precision Wrench™ (Fig. B)

In addition to normal impacting modes, this tool features the Precision Wrench™ mode which grants the user greater control in both fastening and loosening applications. When set in forward, the tool will fasten at 2000 RPM until impact begins. The tool will then pause for 0.5 seconds before continuing to impact at a rate of 3250 IPM, providing the user with greater control and reducing the chance of overtightening or damaging material.

When set in reverse, the tool will impact at a normal speed and rate of 3250 IPM. Upon sensing that the fastener has broken free, the tool will cease to impact and will reduce speed to help prevent "run-off" of loose hardware.

Specifications

Mode	Application	RPM
Precision Wrench™ Mode	Precision Wrench™	0–2000 forward 0–2000 reverse
Low Mode	Low Impacting	0–600 forward 0–2000 reverse
Medium Mode	Medium Impacting	0–1200 forward 0–2000 reverse
High Mode	High Speed Impacting	0–2000 forward 0–2000 reverse

OPERATION

▲ **WARNING:** To reduce the risk of serious personal injury, turn unit off and remove the battery pack before making any adjustments or removing/installing attachments or accessories. An accidental start-up can cause injury.

Installing and Removing the Battery Pack (Fig. B)

▲ **WARNING:** Ensure the tool/appliance is in the off position before inserting the battery pack.

NOTE: For best results, make sure your battery pack is fully charged.

- To install the battery pack **6** into the tool handle, align the battery pack with the rails inside the tool's handle and slide it into the handle until the battery pack is firmly seated in the tool and ensure that it does not disengage.
- To remove the battery pack from the tool, press the battery pack release button **5** and firmly pull the battery pack out of the tool handle. Insert battery into the charger.

Proper Hand Position (Fig. E)

▲ WARNING: To reduce the risk of serious personal injury, **ALWAYS** use proper hand position as shown.

▲ WARNING: To reduce the risk of serious personal injury, **ALWAYS** hold securely in anticipation of a sudden reaction. Proper hand position requires one hand on the main handle 4.

Variable Speed Trigger Switch (Fig. A)

To turn the tool on, squeeze the trigger switch 1. To turn the tool off, release the trigger switch. Your tool is equipped with a brake. The anvil will stop when the trigger switch is fully released. The variable speed switch enables you to select the best speed for a particular application. The more you squeeze the trigger, the faster the tool will operate. For maximum tool life, use variable speed only for starting holes or fasteners.

NOTE: Continuous use in variable speed range is not recommended. It may damage the switch and should be avoided.

Forward/Reverse Control Button (Fig. A)

A forward/reverse control button 2 determines the direction of the tool and also serves as a lock-off button.

To select forward rotation, release the trigger switch and depress the forward/reverse control button on the right side of the tool.

To select reverse, release the trigger switch and depress the forward/reverse control button on the left side of the tool.

The center position of the control button locks the tool in the off position. When changing the position of the control button, be sure the trigger is released.

NOTE: The first time the tool is run after changing the direction of rotation, you may hear a click on start-up. This is normal and does not indicate a problem.

Worklight (Fig. A, B)

The worklight 7 is activated when the variable speed trigger 1 is depressed. Pressing the worklight switch 8 repeatedly will cycle through low illumination, high illumination, and off.

NOTE: The worklight is for lighting the immediate work surface and is not intended to be used as a flashlight.

Usage (Fig. A)

▲ CAUTION: Ensure fastener and/or system will withstand the level of torque generated by the tool. Excessive torque may cause breakage and possible personal injury. Use only impact-rated accessories.

- Place the accessory on the fastener head. Keep the tool pointed straight at the fastener.
- Press variable speed trigger switch 1 to start operation. Release variable speed trigger switch to stop operation. Always check torque with a torque wrench, as the fastening torque is affected by many factors including the following:
 - **Voltage:** Low voltage, due to a nearly discharged battery, will reduce fastening torque.
 - **Accessory size:** Failure to use the correct accessory size will cause a reduction in fastening torque.
 - **Bolt size:** Larger bolt diameters generally require higher fastening torque. Fastening torque will also vary according to length, grade, and torque coefficient.

- **Bolt:** Ensure that all threads are free of rust and other debris to allow proper fastening torque.
- **Material:** The type of material and surface finish of the material will affect fastening torque.
- **Fastening time:** Longer fastening time results in increased fastening torque. Using a longer fastening time than recommended could cause the fasteners to be overstressed, stripped or damaged.

Specifications

Max. fastening torque	Precision Wrench™ mode: 600 ft-lbs, 812 Nm Low Mode: 100 ft-lbs, 136 Nm Medium mode: 300 ft-lbs, 406 Nm High mode: 600 ft-lbs, 812 Nm
Max. breakaway torque	800 ft-lbs, 1084 Nm
No load speed	0–2000 rpm
Impacts per minute	0–3250 ipm
Length	6.95" (177 mm)
Weight	3.7 lbs (1.67 kg)

MAINTENANCE

▲ WARNING: To reduce the risk of serious personal injury, **turn unit off and remove the battery pack before making any adjustments or removing/installing attachments or accessories.** An accidental start-up can cause injury. Your DEWALT power tool has been designed to operate over a long period of time with minimum maintenance. Continuous satisfactory operation depends upon proper tool care and regular cleaning.

Cleaning

▲ WARNING: Blow dirt and dust out of all air vents with clean, dry air at least once a week. To minimize the risk of eye injury, always wear ANSI Z87.1 approved eye protection when performing this procedure.

▲ WARNING: Never use solvents or other harsh chemicals for cleaning the non-metallic parts of the tool. These chemicals may weaken the plastic materials used in these parts. Use a cloth dampened only with water and mild soap. Never let any liquid get inside the tool; never immerse any part of the tool into a liquid.

Accessories

▲ WARNING: Since accessories, other than those offered by DEWALT, have not been tested with this product, use of such accessories with this product could be hazardous. To reduce the risk of injury, only DEWALT-recommended accessories should be used with this product. Recommended accessories for use with your product are available at extra cost from your local dealer or authorized service center. If you need assistance in locating any accessory, please contact DEWALT. Call 1-800-4-DEWALT (1-800-433-9258) or visit our website: www.dewalt.com.

Impact Accessories

▲ WARNING: Use only impact accessories. Non-impact accessories may break and cause a hazardous condition. Inspect accessories prior to use to ensure that they contain no cracks.

Repairs

The charger and batteries are not serviceable. There are no serviceable parts inside the charger or battery pack.

▲ WARNING: To assure product SAFETY and RELIABILITY, repairs, maintenance and adjustment (including brush inspection and replacement, when applicable) should be performed by a factory service center or an authorized service center. Always use identical replacement parts.

Register Online

Thank you for your purchase. Register your product now for:

- **WARRANTY SERVICE:** Registering your product will help you obtain more efficient warranty service in case there is a problem with your product.
- **CONFIRMATION OF OWNERSHIP:** In case of an insurance loss, such as fire, flood or theft, your registration of ownership will serve as your proof of purchase.
- **FOR YOUR SAFETY:** Registering your product will allow us to contact you in the unlikely event a safety notification is required under the Federal Consumer Safety Act.

Register online at www.dewalt.com/account-login.

Three-Year Limited Warranty

For warranty terms, go to

www.dewalt.com/support/warranty.

To request a written copy of the warranty terms, contact: Customer Service at DeWALT Industrial Tool Co., 701 East Joppa Road, Towson, MD 21286 or call **1-800-4-DeWALT (1-800-433-9258)**.

LATIN AMERICA: This warranty does not apply to products sold in Latin America. For products sold in Latin America, see country-specific warranty information contained in the packaging, call the local company or see website for warranty information.

FREE WARNING LABEL REPLACEMENT: If your warning labels become illegible or are missing, call **1-800-4-DeWALT (1-800-433-9258)** for a free replacement.

Usage prévu

Cette clé à choc a été conçue pour des utilisations professionnelles de serrage et de perçage à percussions. Le mode de percussion rend ces outils particulièrement utiles pour visser dans le bois, le métal ou le béton.

NE PAS les utiliser en milieu ambiant humide ou en présence de liquides ou de gaz inflammables.

NE PAS le laisser à la portée des enfants. Une supervision est nécessaire auprès de tout utilisateur non expérimenté.

AVERTISSEMENTS GÉNÉRAUX SUR LA SÉCURITÉ DES OUTILS

▲ AVERTISSEMENT : lisez tous les avertissements de sécurité, toutes les instructions, les illustrations et les caractéristiques fournis avec cet outil électrique. Ne pas suivre toutes les instructions comprises aux présentes peut conduire à un choc électrique, un incendie et/ou des blessures graves.

CONSERVER TOUS LES AVERTISSEMENTS ET TOUTES LES DIRECTIVES POUR UN USAGE ULTÉRIEUR.

Le terme « outil électrique » cité dans les avertissements se rapporte à votre outil électrique à alimentation sur secteur (avec fil) ou par piles (sans fil).

1) Sécurité du lieu de travail

- Tenir l'aire de travail propre et bien éclairée.** Les lieux encombrés ou sombres sont propices aux accidents.
- Ne pas faire fonctionner d'outils électriques dans un milieu déflagrant, tel qu'en présence de liquides, de gaz ou de poussières inflammables.** Les outils électriques produisent des étincelles qui pourraient enflammer la poussière ou les vapeurs.
- Éloigner les enfants et les personnes à proximité pendant l'utilisation d'un outil électrique.** Une distraction pourrait en faire perdre la maîtrise à l'utilisateur.

2) Sécurité en matière d'électricité

- Les fiches des outils électriques doivent correspondre à la prise. Ne jamais modifier la fiche d'aucune façon. Ne jamais utiliser de fiche d'adaptation avec un outil électrique mis à la terre.** Le risque de choc électrique sera réduit par l'utilisation de fiches non modifiées correspondant à la prise.
- Éviter tout contact physique avec des surfaces mises à la terre comme des tuyaux, des radiateurs, des cuisinières et des réfrigérateurs.** Le risque de choc électrique est plus élevé si votre corps est mis à la terre.
- Ne pas exposer les outils électriques à la pluie ou à l'humidité.** La pénétration de l'eau dans un outil électrique augmente le risque de choc électrique.
- Ne pas utiliser le cordon de façon abusive. Ne jamais utiliser le cordon pour transporter, tirer ou débrancher un outil électrique. Tenir le cordon éloigné de la chaleur, de l'huile, des bords tranchants et des pièces mobiles.** Les cordons endommagés ou enchevêtrés augmentent les risques de choc électrique.
- Pour l'utilisation d'un outil électrique à l'extérieur, se servir d'une rallonge convenant à cette application.** L'utilisation d'une rallonge conçue pour l'extérieur réduira les risques de choc électrique.

f) **S'il est impossible d'éviter l'utilisation d'un outil électrique dans un endroit humide, brancher l'outil dans une prise ou sur un circuit d'alimentation dotés d'un disjoncteur de fuite à la terre (GFCI).** L'utilisation de ce type de disjoncteur réduit les risques de choc électrique.

3) Sécurité personnelle

- Être vigilant, surveiller le travail effectué et faire preuve de jugement lorsqu'un outil électrique est utilisé. Ne pas utiliser d'outil électrique en cas de fatigue ou sous l'influence de drogues, d'alcool ou de médicaments.** Un simple moment d'inattention en utilisant un outil électrique peut entraîner des blessures corporelles graves.
 - Utiliser des équipements de protection individuelle. Toujours porter une protection oculaire.** L'utilisation d'équipements de protection comme un masque antipoussière, des chaussures antidérapantes, un casque de sécurité ou des protecteurs auditifs lorsque la situation le requiert réduira les risques de blessures corporelles.
 - Empêcher les démarrages intempestifs. S'assurer que l'interrupteur se trouve à la position d'arrêt avant de relier l'outil à une source d'alimentation et/ou d'insérer un bloc-piles, de ramasser ou de transporter l'outil.** Transporter un outil électrique alors que le doigt repose sur l'interrupteur ou brancher un outil électrique dont l'interrupteur est à la position de marche risque de provoquer un accident.
 - Retirer toute clé de réglage ou clé avant de démarrer l'outil.** Une clé ou une clé de réglage attachée à une partie pivotante de l'outil électrique peut provoquer des blessures corporelles.
 - Ne pas trop tendre les bras. Conserver son équilibre en tout temps.** Cela permet de mieux maîtriser l'outil électrique dans les situations imprévues.
 - S'habiller de manière appropriée. Ne pas porter de vêtements amples ni de bijoux. Garder les cheveux et les vêtements à l'écart des pièces mobiles.** Les vêtements amples, les bijoux ou les cheveux longs risquent de rester coincés dans les pièces mobiles.
 - Si des composants sont fournis pour le raccordement de dispositifs de débossiement et de ramassage, s'assurer que ceux-ci sont bien raccordés et utilisés.** L'utilisation d'un dispositif de débossiement peut réduire les dangers engendrés par les poussières.
 - Ne pas laisser votre connaissance acquise suite l'utilisation fréquente des outils vous permettre de baisser la garde et ignorer les principes de sécurité de l'outil.** Un acte irréfléchi peut causer une blessure grave en une fraction de seconde.
- #### 4) Utilisation et entretien d'un outil électrique
- Ne pas forcer un outil électrique. Utiliser l'outil électrique approprié à l'application.** L'outil électrique approprié effectuera un meilleur travail, de façon plus sûre et à la vitesse pour laquelle il a été conçu.
 - Ne pas utiliser un outil électrique dont l'interrupteur est défectueux.** Tout outil électrique dont l'interrupteur est défectueux est dangereux et doit être réparé.
 - Débranchez la fiche de la prise électrique et, si amovible, retirez le bloc-piles de l'outil avant d'effectuer tout ajustement, changement et entreposage de celui-ci.**

Ces mesures préventives réduisent les risques de démarrage accidentel de l'outil électrique.

d) **Ranger les outils électriques hors de la portée des enfants et ne permettre à aucune personne n'étant pas familière avec un outil électrique ou son mode d'emploi d'utiliser cet outil.** Les outils électriques deviennent dangereux entre les mains d'utilisateurs inexpérimentés.

e) **Gardez les poignées et surfaces d'emprise propres et libres de tout produit lubrifiant. Vérifier si les pièces mobiles sont mal alignées ou coincées, si des pièces sont brisées ou présentent toute autre condition susceptible de nuire au bon fonctionnement de l'outil électrique. En cas de dommage, faire réparer l'outil électrique avant toute nouvelle utilisation.** Beaucoup d'accidents sont causés par des outils électriques mal entretenus.

f) **S'assurer que les outils de coupe sont aiguisés et propres.** Les outils de coupe bien entretenus et aiguisés sont moins susceptibles de se coincer et sont plus faciles à maîtriser.

g) **Utiliser l'outil électrique, les accessoires, les forets, etc. conformément aux présentes directives en tenant compte des conditions de travail et du travail à effectuer.** L'utilisation d'un outil électrique pour toute opération autre que celle pour laquelle il a été conçu est dangereuse.

h) **Garder vos mains et les surfaces de prise sèches, propres et libres de graisse et de poussière.** Les mains et les surfaces de prise glissante ne permettent pas la manutention et le contrôle sécuritaires de l'outil dans les situations imprévues.

5) Utilisation et entretien du bloc-piles

a) **Ne recharger l'outil qu'au moyen du chargeur précisé par le fabricant.** L'utilisation d'un chargeur qui convient à un type de bloc-piles risque de provoquer un incendie s'il est utilisé avec un autre type de bloc-piles.

b) **Utiliser les outils électriques uniquement avec les blocs-piles conçus à cet effet.** L'utilisation de tout autre bloc-piles risque de causer des blessures ou un incendie.

c) **Lorsque le bloc-piles n'est pas utilisé, le tenir éloigné des objets métalliques, notamment des trombones, de la monnaie, des clés, des clous, des vis ou autres petits objets métalliques qui peuvent établir une connexion entre les deux bornes.** Le court-circuit des bornes du bloc-piles risque de provoquer des brûlures ou un incendie.

d) **En cas d'utilisation abusive, le liquide peut gicler hors du bloc-piles; éviter tout contact avec ce liquide. Si un contact accidentel se produit, laver à grande eau. Si le liquide entre en contact avec les yeux, obtenir également des soins médicaux.** Le liquide qui gicle hors du bloc-piles peut provoquer des irritations ou des brûlures.

e) **Ne pas utiliser de bloc-piles ou outil qui a été endommagé ou modifié.** Les unités endommagées ou modifiées peuvent avoir une réaction imprévisible résultant en un incendie, une explosion ou un potentiel de blessure.

f) **Ne pas exposer de bloc-piles ou l'outil aux flammes ou à des températures excessives.** L'exposition aux flammes ou à une température au-dessus de 130 °C (265 °F) pourrait causer une explosion.

g) **Suivre toutes les instructions de recharge et ne rechargez pas les bloc-piles ou l'outil à des températures hors de la plage de température indiquée dans les instructions.** Une recharge non conforme ou à une

température hors des limites spécifiées peut endommager les piles et augmenter le risque d'incendie.

6) Réparation

a) **Faire réparer l'outil électrique par un réparateur professionnel en n'utilisant que des pièces de rechange identiques.** Cela permettra de maintenir une utilisation sécuritaire de l'outil électriques.

b) **Ne jamais réparer des blocs-piles endommagés.** La réparation de blocs-piles doit seulement être effectuée par le fabricant ou les fournisseurs de service autorisé.

Avertissements de sécurité pour la clé/visseuse à chocs – toutes opérations

- **Tenez l'outil électrique par les surfaces de prise isolées lorsque vous effectuez une tâche où la fixation peut entrer en contact avec un câblage dissimulé.** Les pièces de fixation entrant un contact avec un câble « sous tension » peuvent mettre les pièces métalliques de l'outil motorisé « sous tension » et pourraient donner un choc électrique à l'utilisateur.
- **Portez des protections auditives pendant l'utilisation.** L'exposition au bruit peut entraîner la perte de l'ouïe.

▲ **AVERTISSEMENT : les clés à chocs ne sont pas des clés dynamométriques. N'utilisez pas cet outil pour serrer des fixations à des couples spécifiques.** Un appareil de mesure de couples calibré indépendant comme une clé dynamométrique doit être utilisé lorsque des fixations serrées ou trop serrées peuvent entraîner la rupture du raccord.

- **Utilisez des pinces ou une autre façon pratique de sécuriser et maintenir la pièce de travail sur une plateforme stable.** Tenir le travail par une main ou contre votre corps le laisse instable et peut mener à une perte de contrôle.
- **Portez des lunettes de sécurité ou une protection oculaire. Le martelage et le perçage entraînent l'éjection de copeaux.** Les particules volantes peuvent causer des dommages permanents aux yeux.
- **N'utilisez pas cet outil durant de longues périodes. La vibration causée par le mouvement de l'outil peut être dangereuse pour vos mains et vos bras.** Utilisez des gants pour fournir un coussin supplémentaire et limiter l'exposition en prenant des périodes de repos fréquentes.
- **Les accessoires et les outils peuvent devenir chauds durant l'utilisation.** Portez des gants lorsque vous les touchez.

Renseignements de sécurité supplémentaires

▲ **AVERTISSEMENT :** ne modifiez jamais l'outil électrique ou toute pièce de celui-ci. Cela pourrait entraîner des dommages matériels ou des blessures corporelles.

▲ **AVERTISSEMENT :** portez **TOUJOURS** des lunettes de sécurité. Les lunettes ordinaires NE SONT PAS des lunettes de sécurité. Utilisez également un masque facial ou anti-poussière si l'opération de coupe est poussiéreuse. **PORTEZ TOUJOURS UN ÉQUIPEMENT DE SÉCURITÉ CERTIFIÉ :**

- protection oculaire ANSI Z87.1 (CAN/CSA Z94.3),
- protection auditive ANSI S12.6 (S3.19),
- protection respiratoire NIOSH/OSHA/MSHA.

▲ **AVERTISSEMENT :** certaines poussières créées par le ponçage mécanique, le sciage, l'aiguisage, le perçage et autres activités de construction contiennent des produits chimiques reconnus dans l'État de la Californie pour causer le cancer et des anomalies

congénitales ou autres effets nuisibles sur la reproduction. Certains exemples de ces produits chimiques sont :

- le plomb provenant des peintures à base de plomb,
- la silice cristallisée provenant des briques, du ciment et d'autres produits de la maçonnerie ainsi que
- l'arsenic et le chrome provenant du bois de construction traité chimiquement.

Votre risque à ces expositions varie selon la fréquence dont vous effectuez ce type de travail. Pour réduire votre exposition à ces produits chimiques : travaillez dans un endroit bien aéré et avec un équipement de sécurité homologué, comme les masques anti-poussière spécialement conçus pour filtrer les particules microscopiques

- **Portez des vêtements protecteurs et lavez vos zones exposées avec du savon et de l'eau.** Permettre à la poussière d'entrer dans votre bouche, vos yeux ou la laisser sur la peau peut favoriser l'absorption des produits chimiques dangereux. Dirigez les particules loin du visage et du corps.

- **Utilisez l'extracteur de poussière approprié pour enlever la grande majorité de la poussière statique et en suspension dans l'air.** Ne pas enlever la poussière statique et en suspension dans l'air peut contaminer l'environnement de travail ou présenter un risque accru pour la santé de l'utilisateur et les personnes à proximité.

- **Utilisez des pinces ou d'autres méthodes pratiques pour sécuriser et maintenir la pièce de travail sur une plateforme stable.** Tenir le travail d'une main ou contre votre corps est instable et peut mener à une perte de contrôle et une blessure.

- **Les événements couvrent souvent des pièces qui se déplacent et doivent être évités.** Des vêtements amples, les bijoux ou les cheveux longs peuvent se coincer dans des pièces qui déplacent.

▲ ATTENTION : lorsque vous ne l'utilisez pas, placez l'outil sur le côté sur une surface stable là où cela n'entraînera pas un risque de trébuchement ou de chute. Certains outils avec de gros blocs-piles se tiendront debout sur le bloc-piles, mais ils peuvent facilement être renversés.

L'étiquette sur votre outil peut comporter les symboles suivants. Les symboles et les définitions sont les suivants :

v.....volts		ou CA/CC...courant alternatif ou continu
Hz.....hertz		Structure de classe II (doublement isolé)
min.....minutes	n_0	vitesse à vide
— — ou CC...courant continu	n	vitesse nominale
	PSI	livres par pouce carré
..... Structure de classe I (mise à la terre)		borne de terre
.../min..... par minute		symbole d'alertes de sécurité
BPM.....battements par minute		rayonnement visible - ne regardez pas directement la lampe
IPM.....impacts par minute		portez une protection respiratoire
OPM.....oscillations par minute		portez une protection oculaire
Tr/min.....tours par minute		portez une protection auditive
sfpm.....pieds de surface par minute		lisez toute la documentation
CPM.....coups par minute		ne pas exposer à la pluie
A.....ampères		
W.....watts		
Wh.....Wattheures		
Ah.....ampères-heures		
~ ou CA.....courant alternatif		

ASSEMBLAGE ET RÉGLAGES

▲ AVERTISSEMENT : afin de réduire le risque de blessures corporelles graves, arrêtez l'appareil et retirez le blocs-piles avant d'effectuer tout réglage ou de retirer/ installer des pièces ou des accessoires. Un démarrage accidentel peut causer des blessures.

Enclume (Fig. A, C)

▲ AVERTISSEMENT : utiliser exclusivement des accessoires à choc. Les autres accessoires peuvent casser et causer une situation dangereuse. Inspecter l'accessoire avant l'utilisation pour vérifier qu'il n'est pas fissuré.

▲ ATTENTION : inspecter les enclumes, les goupilles de détente et les agrafes nez de porc avant l'utilisation. Les éléments absents ou endommagés doivent être remplacés avant l'utilisation.

Placer l'interrupteur dans la position verrouillée (centrale) ou retirer le bloc batterie avant de changer d'accessoire.

Enclume avec goupille de détente (Fig. A, C)

DCF892

Pour installer un accessoire sur l'enclume, alignez le trou sur le côté de l'accessoire avec la goupille d'arrêt **13** sur l'enclume **3**. Enfoncez l'accessoire jusqu'à ce que la goupille d'arrêt s'engage dans le trou. L'appui sur la goupille d'arrêt peut être nécessaire pour faciliter l'installation de l'accessoire.

Pour retirer un accessoire, enfoncez la goupille d'arrêt à travers le trou et sortez l'accessoire.

Enclume avec agrafe nez de porc (Fig. A, C)

DCF891

Pour installer un accessoire sur l'enclume à agrafe nez de porc, enfoncez fermement l'accessoire sur l'enclume **3**. L'agrafe nez de porc **12** se comprime pour permettre à l'accessoire de coulisser. Après l'installation de l'accessoire, l'agrafe nez de porc appuie sur ce dernier pour le retenir.

Pour retirer un accessoire, saisissez l'accessoire et tirez fermement.

Crochet de ceinture (Fig. A)

Fourni avec certains modèles

▲ AVERTISSEMENT : afin de réduire le risque de blessures graves, n'utilisez le crochet de ceinture QUE pour suspendre l'outil à une ceinture de travail. N'UTILISEZ PAS le crochet de ceinture pour attacher ou fixer l'outil sur une personne ou un objet pendant l'utilisation. NE suspendez PAS l'outil au-dessus de votre tête et NE suspendez AUCUN objet par le crochet de ceinture.

▲ AVERTISSEMENT : afin de réduire le risque de blessures graves, veillez à ce que la vis qui retient le crochet de ceinture soit bien fixée.

IMPORTANT : pour fixer ou déplacer le crochet de ceinture, n'utilisez que la vis fournie à cet effet. Veillez à bien serrer la vis.

Afin de convenir aux gauchers comme aux droitiers, le crochet de ceinture **10** peut être attaché d'un côté ou de l'autre de l'outil à l'aide de la vis fournie uniquement **11**. Si le crochet de ceinture n'est pas nécessaire, il peut être retiré de l'outil.

Pour déplacer le crochet de ceinture, retirez la vis **11** qui le retient en place, puis réinstallez-le de l'autre côté. Veillez à bien serrer la vis.

Sélecteur de mode (Fig. A, B)

Votre outil est équipé d'un bouton sélecteur de mode 9 permettant de sélectionner une des trois vitesses ou le mode Precision Wrench™. Sélectionnez le mode selon la vitesse/le couple nécessaire et contrôlez la vitesse de l'outil à l'aide de la gâchette de vitesse variable 1.

Precision Wrench™ (Fig. B)

En plus des modes à chocs normaux, cet outil comprend le mode Precision Wrench™ qui assure à l'utilisateur un plus grand contrôle pour les applications de serrage et de desserrage. En sens de vissage avant, l'outil tourne à 2 000 tr/min jusqu'à ce que les chocs commencent. L'outil fera alors une pause de 0,5 s avant de poursuivre à un taux de 3250 chocs par minute, donnant à l'utilisateur un plus grand contrôle et réduisant la possibilité de trop serrer ou d'endommager le matériel.

Lorsqu'il est réglé vers l'arrière, l'outil produit des chocs à une vitesse normale et un taux de 3 250 chocs par minute. Lors de la détection du dégagement de la fixation, il cessera de produire des chocs et réduira la vitesse pour aider à prévenir la perte de matériel desserré.

Spécifications

Mode	Application	TR/MIN
Mode Precision Wrench™	Precision Wrench™	0–2000 vers l'avant 0–2000 vers l'arrière
Mode lent	Chocs à faible vitesse	0–600 vers l'avant 0–2000 vers l'arrière
Mode moyen	Chocs à vitesse moyenne	0–1200 vers l'avant 0–2000 vers l'arrière
Mode rapide	Chocs à vitesse élevée	0–2000 vers l'avant 0–2000 vers l'arrière

FONCTIONNEMENT

▲ AVERTISSEMENT : afin de réduire le risque des blessures corporelles graves, arrêtez l'appareil et retirez le bloc-piles avant d'effectuer tout réglage ou de retirer/installer des fixations ou des accessoires. Un démarrage accidentel peut causer des blessures.

Installation et retrait du bloc-piles (Fig. B)

▲ AVERTISSEMENT : assurez-vous que l'outil/appareil est en position d'arrêt avant d'insérer la batterie.

REMARQUE : pour une meilleure performance, assurez-vous que le bloc-piles est complètement chargé.

1. Pour installer le bloc-piles 6 dans l'outil, alignez le bloc-piles avec les glissières à l'intérieur de la poignée de l'outil et glissez-le dans la poignée jusqu'à ce que le bloc-piles soit bien placé dans l'outil et assurez-vous qu'il est enclenché.
2. Pour retirer le bloc-piles de l'outil, appuyez sur le bouton de libération 5 et tirez-le fermement hors de la poignée de l'outil. Insérez-le dans le chargeur.

Position appropriée des mains (Fig. E)

▲ AVERTISSEMENT : afin de réduire le risque de blessure corporelle grave, utilisez TOUJOURS la position des mains appropriée comme illustré.

▲ AVERTISSEMENT : afin de réduire le risque de blessure grave, tenez TOUJOURS fermement l'outil en prévision d'une réaction soudaine.

Une position des mains appropriée nécessite une main sur la poignée principale 4.

Gâchette à vitesse variable (Fig. A)

Pour mettre l'outil en marche, appuyez sur la gâchette 1. Pour arrêter l'outil, relâchez la gâchette. Votre outil est équipé d'un frein. Le mandrin s'arrêtera dès que la gâchette sera complètement relâchée. La gâchette à vitesse variable vous permet de choisir la vitesse optimale d'une application particulière. Plus vous appuyez sur la gâchette, plus l'outil tourne rapidement. Pour maximiser la durée de vie de l'outil, utilisez la vitesse variable seulement pour démarrer le trou ou le vissage.

REMARQUE : l'utilisation continue dans la plage à vitesse variable n'est pas recommandée. Cela pourrait endommager l'interrupteur et devrait être évité.

Bouton de commande avant/arrière (Fig. A)

Un bouton de commande Avancer/Reculer 2 détermine le sens de l'outil et sert aussi de bouton de verrouillage.

Pour sélectionner la rotation vers l'avant, relâchez le commutateur et appuyez sur le bouton de commande avancer/reculer à droite de l'outil.

Pour sélectionner la rotation vers l'arrière, relâchez la gâchette et appuyez sur le bouton de commande avancer/reculer à gauche de l'outil.

La position centrale du bouton de commande verrouille l'outil en position éteint. Lorsque vous changez la position du bouton de commande, assurez-vous que la gâchette est relâchée.

REMARQUE : La première fois que l'outil fonction après un changement de sens de rotation, vous pourriez entendre un clic lors du démarrage. C'est normal et cela n'indique pas un problème.

Lampe de travail (Fig. A, B)

La lampe de travail 7 est activée lorsque la gâchette à vitesse 1 est enfoncée. Des pressions répétées sur le commutateur de la lampe de travail 8 l'activent en faible luminosité, haute luminosité et arrê.

REMARQUE : La lampe de travail sert à éclairer la surface de travail immédiate et n'est pas conçue pour être utilisée comme une lampe de poche.

Utilisation (Fig. A)

▲ ATTENTION : assurez-vous que la fixation et/ou le système résisteront au niveau du couple généré par l'outil. Un couple excessif peut entraîner un bris et une possible blessure corporelle.

1. Placez l'accessoire sur la tête de la fixation. Gardez l'outil pointé droit sur la fixation.
2. Appuyez sur la gâchette de vitesse variable 1 pour démarrer l'utilisation. Relâchez la gâchette de vitesse variable pour arrêter l'utilisation. Vérifiez toujours le couple à l'aide d'une clé dynamométrique, car le couple de serrage est affecté par de nombreux facteurs, notamment les suivants :

- **Tension** : une faible tension, due à une pile presque déchargée, réduira le couple de serrage.
- **Taille de l'accessoire** : si vous n'utilisez pas la bonne taille d'accessoire, le couple de serrage sera réduit.
- **Taille du boulon** : les boulons de plus grand diamètre nécessitent généralement un couple de serrage plus élevé. Le couple de serrage varie également en fonction de la longueur, de la classe et du coefficient de couple.
- **Boulon** : veillez à ce que tous les filetages soient exempts de rouille et d'autres débris pour permettre un couple de serrage approprié.
- **Matériau** : le type de matériau et la finition de surface du matériau affecteront le couple de serrage.
- **Durée de fixation** : un temps de fixation plus long entraîne une augmentation du couple de serrage. L'utilisation d'une durée de fixation supérieure à celle recommandée peut entraîner une contrainte excessive sur les fixations, leur arrachement ou leur endommagement.

Caractéristiques

Couple de serrage max.	Mode Precision Wrench™ : 600 ft-lbs, 812 Nm Mode lent : 100 ft-lbs, 136 Nm Mode moyen : 300 ft-lbs, 406 Nm Mode rapide : 600 ft-lbs, 812 Nm
Couple de rupture max.	800 ft-lbs, 1 084 Nm
Vitesse à vide	0 à 2 000 tr/min
Impacts par minute	0 à 3 250 impacts/min
Longueur	177 mm (6,95 po)
Poids	1,67 kg (3,7 lbs)

ENTRETIEN

▲ AVERTISSEMENT : afin de réduire le risque des blessures corporelles graves, arrêtez l'appareil et retirez le blocs-piles avant d'effectuer tout réglage ou de retirer/installer des pièces ou des accessoires. Un démarrage accidentel peut causer des blessures.

Votre chariot DEWALT a été conçu pour fonctionner sur une longue période avec un minimum d'entretien. Un fonctionnement satisfaisant continu dépend de l'entretien approprié et d'un nettoyage régulier de l'outil.

Nettoyage

▲ AVERTISSEMENT : enlever les saletés et la poussière hors des événements au moyen d'air comprimé propre et sec, au moins une fois par semaine. Pour minimiser le risque de blessure aux yeux, toujours porter une protection oculaire conforme à la norme ANSI Z87.1 lors du nettoyage.

▲ AVERTISSEMENT : ne jamais utiliser de solvants ni d'autres produits chimiques puissants pour nettoyer les pièces non métalliques de l'outil. Ces produits chimiques peuvent affaiblir les matériaux de plastique utilisés dans ces pièces. Utiliser un chiffon humecté uniquement d'eau et de savon doux. Ne jamais laisser de liquide pénétrer dans l'outil et n'immerger aucune partie de l'outil dans un liquide.

Accessoires

▲ AVERTISSEMENT : les accessoires autres que DEWALT n'ayant pas été testés avec ce produit, leur utilisation avec cet outil peut s'avérer dangereuse. Pour réduire le risque de

blessure, seuls les accessoires recommandés par DEWALT doivent être utilisés avec ce produit.

Les accessoires recommandés pour utilisation avec cet outil sont disponibles à un coût supplémentaire chez votre détaillant local ou dans un centre de services autorisé. Si vous avez besoin d'aide pour localiser un accessoire, contactez DEWALT. Appelez au **1-800-4-DEWALT (1-800-433-9258)** ou consultez notre site web : www.dewalt.com.

Accessoires à chocs

▲ AVERTISSEMENT : utilisez seulement des accessoires à chocs. Les accessoires non à chocs peuvent se briser et causer une condition dangereuse. Inspectez les accessoires avant leur utilisation pour vous assurer qu'ils ne comportent pas de fissures.

Réparations

Le chargeur et le bloc-piles ne sont pas réparables. Le chargeur ou le bloc-piles ne comportent aucune pièce réparable.

▲ AVERTISSEMENT : pour assurer la SÉCURITÉ et la FIABILITÉ du produit, les réparations, l'entretien et les réglages doivent être réalisés (cela comprend l'inspection et le remplacement du balai, le cas échéant) par un centre de réparation en usine DEWALT ou un centre de réparation agréé DEWALT. Toujours utiliser des pièces de rechange identiques.

Enregistrez-vous en ligne

Nous vous remercions de votre achat. Enregistrez votre produit maintenant pour :

- **SERVICE DE GARANTIE** : l'enregistrement de votre produit en ligne vous aide à obtenir un service de garantie efficace au cas où vous auriez un problème avec votre produit.
- **CONFIRMATION DE PROPRIÉTÉ** : en cas de pertes liées aux assurances telles qu'un incendie, une inondation ou un vol, votre enregistrement de propriété servira de preuve de votre achat.
- **POUR VOTRE SÉCURITÉ** : l'enregistrement de votre produit nous permet de vous contacter dans le cas peu probable d'une notification de sécurité requise selon le Federal Consumer Safety Act.

Inscrivez-vous en ligne sur www.dewalt.com/account-login.

Garantie limitée de trois ans

Pour connaître les conditions de la garantie, consultez www.dewalt.com/support/warranty.

Pour demander une copie écrite des conditions de la garantie, contactez : service à la clientèle chez DEWALT Industrial Tool Co., 701 East Joppa Road, Towson, MD 21286 ou appelez le **1-800-4-DEWALT (1-800-433-9258)**.

AMÉRIQUE LATINE : la présente garantie ne s'applique pas aux produits vendus en Amérique Latine. Pour les produits vendus en Amérique Latine, consultez les renseignements sur la garantie particulière au pays comprise dans l'emballage, appelez l'entreprise locale ou consultez le site Web pour les renseignements complets à propos de la garantie.

REMPLACEMENT GRATUIT DES ÉTIQUETTES

D'AVERTISSEMENT : si vos étiquettes d'avertissement deviennent illisibles ou sont manquantes, appelez le **1-800-4-DEWALT (1-800-433-9258)** pour un remplacement gratuit.

Uso Debido

Esta llave de impacto ha sido diseñada para aplicaciones profesionales de ajuste y perforación de impacto. La función de percusión hace que esta herramienta resulte particularmente útil para clavar sujetadores en madera, metal y hormigón.

NO utilice la herramienta en condiciones de humedad o en presencia de líquidos o gases inflamables.

NO permita que los niños toquen la herramienta. Si el operador no tiene experiencia operando esta herramienta, su uso deberá ser supervisado.

ADVERTENCIAS GENERALES DE SEGURIDAD PARA HERRAMIENTAS ELÉCTRICAS

▲ ADVERTENCIA: Lea todas las advertencias de seguridad, instrucciones, ilustraciones y especificaciones incluidas con esta herramienta eléctrica. La falla en seguir todas las instrucciones siguientes puede resultar en descarga eléctrica, incendio y/o lesiones serias.

CONSERVE TODAS LAS ADVERTENCIAS E INSTRUCCIONES PARA FUTURAS CONSULTAS.

El término "herramienta eléctrica" incluido en las advertencias hace referencia a las herramientas eléctricas operadas con corriente (con cable eléctrico) o a las herramientas eléctricas operadas con baterías (inalámbricas).

1) Seguridad en el Área de Trabajo

a) **Mantenga el área de trabajo limpia y bien iluminada.** Las áreas abarrotadas y oscuras propician accidentes.

b) **No opere las herramientas eléctricas en atmósferas explosivas, como ambientes donde haya polvo, gases o líquidos inflamables.** Las herramientas eléctricas originan chispas que pueden encender el polvo o los vapores.

c) **Mantenga alejados a los niños y a los espectadores de la herramienta eléctrica en funcionamiento.** Las distracciones pueden provocar la pérdida de control.

2) Seguridad Eléctrica

a) **Los enchufes de la herramienta eléctrica deben adaptarse al tomacorriente. Nunca modifique el enchufe de ninguna manera. No utilice ningún enchufe adaptador con herramientas eléctricas con conexión a tierra.** Los enchufes no modificados y que se adaptan a los tomacorrientes reducirán el riesgo de descarga eléctrica.

b) **Evite el contacto corporal con superficies con descargas a tierra como, por ejemplo, tuberías, radiadores, cocinas eléctricas y refrigeradores.** Existe mayor riesgo de descarga eléctrica si su cuerpo está puesto a tierra.

c) **No exponga las herramientas eléctricas a la lluvia o a condiciones de humedad.** Si entra agua a una herramienta eléctrica, aumentará el riesgo de descarga eléctrica.

d) **No maltrate el cable. Nunca utilice el cable para transportar, tirar o desencharlar la herramienta eléctrica. Mantenga el cable alejado del calor, el aceite, los bordes filosos y las piezas móviles.** Los cables dañados o enredados aumentan el riesgo de descarga eléctrica.

e) **Al operar una herramienta eléctrica en el exterior, utilice un cable prolongador adecuado para tal uso.** Utilice un cable adecuado para uso en exteriores a fin de reducir el riesgo de descarga eléctrica.

f) **Si el uso de una herramienta eléctrica en un lugar húmedo es imposible de evitar, utilice un suministro**

protegido con un interruptor de circuito por falla a tierra (GFCI). El uso de un GFCI reduce el riesgo de descargas eléctricas.

3) Seguridad Personal

a) **Permanezca alerta, controle lo que está haciendo y utilice el sentido común cuando emplee una herramienta eléctrica. No utilice una herramienta eléctrica si está cansado o bajo el efecto de drogas, alcohol o medicamentos.** Un momento de descuido mientras se opera una herramienta eléctrica puede provocar lesiones personales graves.

b) **Utilice equipos de protección personal. Siempre utilice protección para los ojos.** En las condiciones adecuadas, el uso de equipos de protección, como máscaras para polvo, calzado de seguridad antideslizante, cascos o protección auditiva, reducirá las lesiones personales.

c) **Evite el encendido por accidente. Asegúrese de que el interruptor esté en la posición de apagado antes de conectarlo a la fuente de energía o paquete de baterías, o antes de levantar o transportar la herramienta.** Transportar herramientas eléctricas con el dedo apoyado en el interruptor o enchufar herramientas eléctricas con el interruptor en la posición de encendido puede propiciar accidentes.

d) **Retire la clavija de ajuste o la llave de tuercas antes de encender la herramienta eléctrica.** Una llave de tuercas o una clavija de ajuste que quede conectada a una pieza giratoria de la herramienta eléctrica puede provocar lesiones personales.

e) **No se estire. Conserve el equilibrio y párese adecuadamente en todo momento.** Esto permite un mejor control de la herramienta eléctrica en situaciones inesperadas.

f) **Use la vestimenta adecuada. No use ropas holgadas ni joyas. Mantenga el cabello y la ropa alejados de las piezas en movimiento.** Las ropas holgadas, las joyas o el cabello largo pueden quedar atrapados en las piezas en movimiento.

g) **Si se suministran dispositivos para la conexión de accesorios con fines de recolección y extracción de polvo, asegúrese de que estén conectados y que se utilicen correctamente.** El uso de dispositivos de recolección de polvo puede reducir los peligros relacionados con el polvo.

h) **No permita que la familiaridad obtenida a partir del uso frecuente de herramientas le permitan volverse descuidado e ignorar los principios de seguridad de la herramienta.** Una acción descuidada puede causar lesiones severas en una fracción de segundo.

4) Uso y Mantenimiento de la Herramienta Eléctrica

a) **No fuerce la herramienta eléctrica. Utilice la herramienta eléctrica correcta para el trabajo que realizará.** Si se la utiliza a la velocidad para la que fue diseñada, la herramienta eléctrica correcta permite trabajar mejor y de manera más segura.

b) **No utilice la herramienta eléctrica si no puede encenderla o apagarla con el interruptor.** Toda herramienta eléctrica que no pueda ser controlada mediante el interruptor es peligrosa y debe repararse.

c) **Desconecte el enchufe de la fuente de alimentación y/o retire la batería, o paquete si es desmontable, de la herramienta eléctrica antes de realizar cualquier ajuste, cambiar accesorios o almacenar herramientas eléctricas.**

Estas medidas de seguridad preventivas reducen el riesgo de encender la herramienta eléctrica en forma accidental.

d) **Guarde la herramienta eléctrica que no esté en uso fuera del alcance de los niños y no permita que otras personas no familiarizadas con ella o con estas instrucciones operen la herramienta.** Las herramientas eléctricas son peligrosas si son operadas por usuarios no capacitados.

e) **Dé mantenimiento a las herramientas eléctricas y accesorios. Revise que no haya piezas en movimiento mal alineadas o trabadas, piezas rotas o cualquier otra situación que pueda afectar el funcionamiento de la herramienta eléctrica. Si encuentra daños, haga reparar la herramienta eléctrica antes de utilizarla.** Se producen muchos accidentes a causa de las herramientas eléctricas que carecen de un mantenimiento adecuado.

f) **Mantenga las herramientas de corte afiladas y limpias.** Las herramientas de corte con mantenimiento adecuado y con los bordes de corte afilados son menos propensas a trabarse y son más fáciles de controlar.

g) **Utilice la herramienta eléctrica, los accesorios y las brocas de la herramienta, etc. de acuerdo con estas instrucciones y teniendo en cuenta las condiciones de trabajo y el trabajo que debe realizarse.** El uso de la herramienta eléctrica para operaciones diferentes de aquéllas para las que fue diseñada podría originar una situación peligrosa.

h) **Mantenga las manijas y superficies de sujeción secas, limpias y libres de aceite y grasa.** Las manijas y superficies de sujeción resbalosas no permiten el manejo y control seguros de la herramienta en situaciones inesperadas.

5) Uso y Mantenimiento de la Herramienta con Baterías

a) **Recargue solamente con el cargador especificado por el fabricante.** Un cargador adecuado para un tipo de paquete de baterías puede originar riesgo de incendio si se utiliza con otro paquete de baterías.

b) **Utilice herramientas eléctricas sólo con paquetes de baterías específicamente diseñados.** El uso de cualquier otro paquete de baterías puede producir riesgo de incendio y lesiones.

c) **Cuando no utilice el paquete de baterías, manténgalo lejos de otros objetos metálicos como sujetapapeles, monedas, llaves, clavos, tornillos u otros objetos metálicos pequeños que puedan realizar una conexión desde un terminal al otro.** Los cortocircuitos en los terminales de la batería pueden provocar quemaduras o incendio.

d) **En condiciones abusivas, el líquido puede ser expulsado de la batería. Evite su contacto. Si entra en contacto accidentalmente, enjuague con agua. Si el líquido entra en contacto con los ojos, busque atención médica.** El líquido expulsado de la batería puede provocar irritación o quemaduras.

e) **No use un paquete de batería o herramienta que estén dañados o modificados.** Las baterías dañadas o modificadas pueden presentar un comportamiento impredecible que resulte en incendios, explosión o riesgo de lesiones.

f) **No exponga un paquete de batería o una herramienta a fuego o temperatura excesiva.** La exposición a fuego o temperaturas mayores a 130 °C (265 °F) pueden causar una explosión.

g) **Siga todas las instrucciones de carga y no cargue el paquete de batería o la herramienta fuera del rango de temperatura especificado en las instrucciones.** Cargar inadecuadamente o en una temperatura fuera del rango de temperatura especificado puede dañar la batería e incrementar el riesgo de incendio.

6) Mantenimiento

a) **Solicite a una persona calificada en reparaciones que realice el mantenimiento de su herramienta eléctrica y que sólo utilice piezas de repuesto idénticas.** Esto garantizará la seguridad de la herramienta eléctrica.

b) **Nunca dé servicio a paquetes de batería dañados.** El servicio de paquetes de batería sólo debe ser realizado por el fabricante o proveedores de servicio autorizados.

Advertencias de seguridad del atornillador de impacto-Todas las operaciones

• **Sostenga la herramienta eléctrica por las superficies de sujeción aisladas cuando realice una operación en la que el sujetador pueda tener contacto con cableado oculto.**

Los sujetadores que hagan contacto con cable "vivo" pueden tener partes de metal expuestas de la herramienta eléctrica "viva" y podrían dar al operador una descarga eléctrica.

• **Use protectores auditivos durante el uso.** La exposición al ruido puede causar pérdida de audición.

▲ **ADVERTENCIA: Las llaves de impacto no son torquímetros. NO use esta herramienta para apretar sujetadores a pares de apriete específicos.** Se debe usar un dispositivo de medición de par de apriete independiente y calibrado tal como un torquímetro cuando sujetadores con bajo o exceso de apriete puedan guiar a la falla de la unión.

• **Use abrazaderas u otra manera práctica para asegurar y soportar la pieza de trabajo a una plataforma estable.** Sostener el trabajo a mano o contra su cuerpo lo hace inestable y puede guiar a la pérdida de control.

• **Use gafas de seguridad u otra protección para los ojos. Las operaciones de martilleo y perforación pueden causar que vuelen rebabas.** Las partículas expulsadas pueden causar daño permanente a los ojos.

• **No opere esta herramienta por largos períodos de tiempo. La vibración causada por la acción de la herramienta puede ser dañina para sus manos y brazos.** Use guantes para proporcionar un amortiguamiento adicional y limite la exposición tomando periodos de descanso frecuentes.

• **Los accesorios y herramientas se pueden calentar durante la operación.** Use guantes cuando los toque.

Información de seguridad adicional

▲ **ADVERTENCIA: Nunca modifique la herramienta eléctrica o ninguna parte de ella.** Podría resultar en daño o lesiones personales.

▲ **ADVERTENCIA: SIEMPRE use gafas de seguridad.** Las gafas de uso diario NO son gafas de seguridad. También use una careta o máscara de polvo si la operación de corte produce polvo. SIEMPRE USE EQUIPO DE SEGURIDAD CERTIFICADO:

- Protección para los ojos ANSI Z87.1 (CAN/CSA Z94.3),
- Protección auditiva ANSI S12.6 (S3.19),
- Protección respiratoria NIOSH/OSHA/MSHA.

▲ ADVERTENCIA: *Algún polvo creado por lijado, aserrado, pulido, perforación eléctricos y otras actividades de construcción contienen químicos conocidos por el Estado de California como causantes de cáncer, defectos de nacimiento u otros daños reproductivos. Algunos ejemplos de estos químicos son:*

- plomo a partir de pinturas a base de plomo,
 - sílice cristalino de ladrillos y cemento y otros productos de mampostería, y
 - arsénico y cromo a partir de madera tratada químicamente.
- Su riesgo a partir de estas exposiciones varía, dependiendo de qué tan a menudo realice este tipo de trabajo. Para reducir su exposición a estos químicos: trabaje en un área bien ventilada, y trabaje con equipo de seguridad aprobado, tal como máscaras de polvo que estén diseñadas específicamente para filtrar partículas microscópicas.

• **Use ropa de protección y lave las áreas expuestas con agua y jabón.** Permitir que el polvo entre en su boca, ojos, o que quede sobre la piel puede promover la absorción de químicos peligrosos. Dirija las partículas lejos de la cara y el cuerpo.

• **Use la aspiradora de extracción de polvo adecuada para retirar la mayoría de polvo estático y transportado por aire.** La falla en retirar el polvo estático y transportado por aire podría contaminar el ambiente de trabajo y presentar un riesgo de salud mayor al operador y personas en las cercanías.

• **Use abrazaderas u otras maneras prácticas para asegurar y soportar la pieza de trabajo a una plataforma estable.** Sostener el trabajo a mano o contra su cuerpo es inestable y puede guiar a la pérdida de control y lesiones.

• **Las ventilas de aire a menudo cubren las partes móviles y se deben evitar.** La ropa suelta, joyería, o cabello largo podrían quedar atrapados en las partes móviles.

▲ ATENCIÓN: *Cuando no esté en uso, coloque la herramienta en su lado sobre una superficie estable donde no cause un peligro de tropiezo o caída. Algunas herramientas con paquetes de batería grandes pueden quedar verticales sobre el paquete de batería pero se pueden voltear fácilmente.*

La etiqueta en su herramienta puede incluir los siguientes símbolos. Los símbolos y sus definiciones son los siguientes:

V.....volts	Ah.....amperios hora
Hz.....hertz	~ o CA.....corriente alterna
min.....minutos	⎓ o CA/CD.....corriente alterna o directa
— o CD.....corriente directa	⊠.....Construcción Clase II (aislamiento doble)
Ⓢ.....Construcción Clase I (conectada a tierra)	n ₀velocidad sin carga
.../min.....por minuto	n.....velocidad nominal
BPM.....golpes por minuto	PSI.....libras por pulgada cuadrada
IPM.....impactos por minuto	⊕.....terminal de tierra
OPM.....oscilaciones por minuto	▲.....símbolo de alerta de seguridad
RPM.....revoluciones por minuto	⚠.....radiación visible—no mirar directamente a la luz
sfpm.....pies de superficie por minuto	☞.....use protección respiratoria
SPM.....carreras por minuto	☞.....use protección para los ojos
A.....ampéres	
W.....watts	
Wh.....Watt Horas	

☞.....use protección auditiva

📖.....lea toda la documentación

🚫.....no exponga a la lluvia

ENSAMBLE Y AJUSTES

▲ ADVERTENCIA: *Para reducir el riesgo de lesiones personales serias, apague la unidad y retire el paquete de batería antes de realizar cualquier ajuste o retirar/instalar conexiones o accesorios. Un arranque accidental puede causar lesiones.*

Yunque (Fig. A, C)

▲ ADVERTENCIA: *Utilice sólo accesorios de impacto. Los accesorios que no sean de impacto podrán romperse y provocar condiciones peligrosas. Revise el accesorio antes de usarlo para asegurarse que no tenga rajaduras.*

▲ ATENCIÓN: *Inspeccione el yunque, las clavijas de retención y los anillos abiertos antes de usar. Los artículos dañados o que falten deben ser sustituidos antes del uso. Coloque el interruptor en la posición de desbloqueo (centro) o retire el paquete de pilas antes de cambiar los accesorios.*

Yunque con Clavija de Detención (Fig. A, C)

DCF892

Para instalar un accesorio en el yunque, alinee el orificio en el lateral de la toma con la clavija de detención **13** del yunque **3**. Presione el accesorio hasta que la clavija de detención quede introducida en el orificio. Puede ser necesario presionar la clavija de detención para facilitar la instalación del accesorio.

Para retirar un accesorio, presione la clavija de detención hasta introducirla totalmente en el orificio y tire del accesorio para sacarlo.

Yunque con Anillo Abierto (Fig. A, C)

DCF891

Para instalar un accesorio en el yunque de anillo abierto, empuje firmemente el accesorio en el yunque **3**. El anillo abierto **12** se comprime permitiendo que el accesorio se deslice hacia dentro. Después de instalar el accesorio, el anillo abierto ejerce presión reteniendo el accesorio.

Para extraer un accesorio, aférrelo y tire con fuerza.

Gancho para Cinturón (Fig. A)

Incluido con Algunos Modelos

▲ ADVERTENCIA: *Para reducir el riesgo de lesiones graves, SOLO use el gancho para cinturón de la herramienta para colgar la herramienta de un cinturón de trabajo. NO use el gancho para cinturón para colgar o sujetar la herramienta a una persona u objeto durante el uso. NO suspenda la herramienta de objetos en altura ni suspenda objetos del gancho para cinturón.*

▲ ADVERTENCIA: *Para reducir el riesgo de lesión corporal grave, verifique que el tornillo que sujeta el gancho para cinturón esté ajustado.*

IMPORTANTE: Al añadir o reemplazar el gancho para cinturón, utilice solamente el tornillo que se suministra. Cerciórese de apretar firmemente el tornillo.

El gancho para cinturón **10** puede ser adosado a cualquier lado de la herramienta utilizando solamente el tornillo **11** provisto, para adaptarse a usuarios zurdos o derechos.

Si nunca va a necesitar el gancho, puede extraerlo de la herramienta.

Para mover el gancho para cinturón al otro lado, quite el tornillo **11** que sostiene el gancho para cinturón en su lugar y vuélvalo a ensamblar en el otro lado. Asegúrese de ajustar bien el tornillo.

Selector de Modo (Fig. A, B)

Su herramienta está equipada con un selector de modo **9** que le permite seleccionar una de tres velocidades o el modo Precision Wrench™. Seleccione el modo en base a la velocidad/torque máximos y controle la velocidad de la herramienta utilizando el interruptor de gatillo de velocidad variable **1**.

Precision Wrench™ (Fig. B)

Además de los modos de impacto normales, esta herramienta presenta el modo Precision Wrench™ que otorga al usuario más control para aplicaciones de apriete como para aflojar. Cuando ajuste en avance, la herramienta apretará a 2000 RPM hasta que comience el impacto. La herramienta entonces hará una pausa por 0,5 segundos antes de continuar el impacto en una velocidad de 3250 IPM, proporcionando al usuario mayor control y reduciendo la oportunidad de apriete excesivo o dañar el material.

Cuando se ajusta en reversa, la herramienta realizará el impacto en una velocidad normal y tasa de 3250 IPM. Al detectar que el sujetador se liberó, la herramienta detendrá el impacto y reducirá la velocidad para ayudar a prevenir el “deslizamiento” de hardware suelto.

Especificaciones

Modo	Aplicación	RPM
Modo Precision Wrench™	Precision Wrench™	0–2000 avance
		0–2000 reversa
Modo Bajo	Impacto bajo	0–600 avance
		0–2000 reversa
Modo medio	Impacto medio	0–1200 avance
		0–2000 reversa
Modo Alto	Impacto de alta velocidad	0–2000 avance
		0–2000 reversa

OPERACIÓN

▲ ADVERTENCIA: Para reducir el riesgo de lesiones personales serias, apague la unidad y retire el paquete de batería antes de realizar cualquier ajuste o retirar/instalar conexiones o accesorios. Un arranque accidental puede causar lesiones.

Instalación y Desinstalación del Paquete de Batería (Fig. B)

▲ ADVERTENCIA: Asegúrese que la herramienta/aparato esté en la posición apagada antes de insertar el paquete de la batería.

NOTA: Para mejores resultados, asegúrese que su paquete de batería esté completamente cargado.

1. Para instalar el paquete de batería **6** en la manija de la herramienta, alinee el paquete de la batería con los rieles dentro de la manija de la herramienta y deslícelo en la manija hasta que el paquete de batería esté asentado firmemente en la herramienta y asegúrese que no se desconecte.

2. Para retirar el paquete de batería de la herramienta, presione el botón de liberación del paquete de batería **5** y jale firmemente el paquete de batería fuera de la manija de la herramienta. Insértelo en el cargador.

Colocación Adecuada de Manos (Fig. E)

▲ ADVERTENCIA: Para reducir el riesgo de lesiones personales serias, **SIEMPRE** use la posición de las manos adecuada como se muestra.

▲ ADVERTENCIA: Para reducir el riesgo de lesiones personales serias, **SIEMPRE** sostenga firmemente en anticipación de una reacción repentina.

La posición de mano adecuada requiere una mano en la manija principal **4**.

Interruptor de Gatillo de Velocidad Variable (Fig. A)

Para encender la herramienta, apriete el interruptor tipo gatillo **1**. Para apagar la herramienta, suelte el interruptor de gatillo. Su herramienta está equipada con un freno. El porta brocas se detendrá apenas se suelte totalmente el interruptor de gatillo. El interruptor de velocidad variable permite seleccionar la mejor velocidad para una aplicación en particular. Mientras más aprieta el gatillo, más rápido operará la herramienta. Para la duración máxima de su herramienta, use la velocidad variable sólo para perforar el comienzo de orificios o para establecer el lugar de inserción de sujetadores.

NOTA: No se recomienda el uso continuo de esta herramienta en el rango de velocidad variable. Esto podría dañar el interruptor y debería evitarse.

Botón de control de avance/reversa (Fig. A)

Un botón de control de avance/reversa **2** determina la dirección de la herramienta y también sirve como un botón de bloqueo en apagado.

Para seleccionar la rotación de avance, libere el interruptor de gatillo y presione el botón de control de avance/reversa en el lado derecho de la herramienta.

Para seleccionar la reversa, libere el interruptor de gatillo y presione el botón de control de avance/reversa en el lado izquierdo de la herramienta.

La posición central del botón de control bloquea la herramienta en la posición apagada. Cuando cambie la posición del botón de control, asegúrese que se libere el gatillo.

NOTA: La primera vez que se opere la herramienta después de cambiar la dirección de rotación, puede escuchar un clic al encender. Esto es normal y no indica un problema.

Luz de Trabajo (Fig. A, B)

La luz de trabajo **7** se activa cuando el gatillo de velocidad variable **1** es oprimido. Presionar el interruptor de luz de trabajo **8** repetidamente cambiará a través de iluminación baja, iluminación alta y apagado.

NOTA: La luz de trabajo es para iluminar la superficie de trabajo inmediata y no se pretende que se use como una linterna.

Uso (Fig. A)

▲ ATENCIÓN: Asegúrese que el sujetador y/o sistema soporten el nivel de par generado por la herramienta. El par excesivo puede causar la ruptura y posibles lesiones personales.

1. Coloque el accesorio en la cabeza del sujetador. Mantenga la herramienta apuntada de forma recta en el sujetador.

2. Presione el interruptor de interruptor de velocidad variable **1** para comenzar la operación. Libere el interruptor de gatillo de velocidad variable para detener la operación. Siempre verifique el torque con un torquímetro, ya que el par de apriete se ve afectado por muchos factores, incluyendo los siguientes:

- **Voltaje:** El bajo voltaje, debido a una batería casi descargada, reducirá el par de apriete.
- **Tamaño del accesorio:** Si no utiliza el tamaño de accesorio correcto, se reducirá el par de apriete.
- **Tamaño del perno:** Los diámetros de pernos más grandes generalmente requieren un par de apriete más alto. El par de apriete también variará según la longitud, el grado y el coeficiente de par.
- **Perno:** Asegúrese que todas las roscas estén libres de óxido y otros desechos para permitir el par de apriete adecuado.
- **Material:** El tipo de material y el acabado de la superficie del material afectarán el par de apriete.
- **Tiempo de sujeción:** Un tiempo de apriete más largo da como resultado un mayor par de apriete. El uso de un tiempo de sujeción más largo que el recomendado podría hacer que los sujetadores se tensen en exceso, se desgasten o se dañen.

Especificaciones

Torque de apriete máx.	Modo Precision Wrench™: 600 pie-lbs, 812 Nm Modo bajo: 100 pie-lbs, 136 Nm Modo medio: 300 pie-lbs, 406 Nm Modo alto: 600 pie-lbs, 812 Nm
Torque de ruptura máx.	800 pie-lbs, 1084 Nm
Velocidad sin carga	0–2000 rpm
Impactos por minuto	0–3250 ipm
Longitud	177 mm (6,95")
Peso	1,67 kg (3,7 lbs)

MANTENIMIENTO

▲ ADVERTENCIA: Para reducir el riesgo de lesiones personales serias, apague la unidad y retire el paquete de batería antes de realizar cualquier ajuste o retirar/instalar conexiones o accesorios o antes de la limpieza.

Un arranque accidental puede causar lesiones. Su herramienta DEWALT ha sido diseñada para funcionar durante un largo período de tiempo con un mínimo de mantenimiento. La operación satisfactoria continua depende del cuidado adecuado de la herramienta y la limpieza regular.

Limpieza

▲ ADVERTENCIA: Sople la suciedad y el polvo de todas los conductos de ventilación con aire seco, al menos una vez por semana. Para reducir el riesgo de lesiones, utilice siempre protección para los ojos aprobada ANSI Z87.1 al realizar esta tarea.

▲ ADVERTENCIA: Nunca utilice solventes ni otros químicos abrasivos para limpiar las piezas no metálicas de la herramienta. Estos productos químicos pueden debilitar los materiales plásticos utilizados en estas piezas. Utilice un paño humedecido sólo con agua y jabón neutro. Nunca permita que penetre líquido dentro de la herramienta ni sumerja ninguna de las piezas en un líquido.

Accesorios

▲ ADVERTENCIA: Ya que los accesorios, diferentes a los ofrecidos por DEWALT, no han sido probados con este producto, el uso de tales accesorios con esta herramienta podría ser peligroso. Para reducir el riesgo de lesiones, sólo se deben usar accesorios recomendados por DEWALT con este producto.

Los accesorios recomendados para uso con su herramienta están disponibles por un costo adicional a partir de su distribuidor local o centro de servicio autorizado. Si necesita asistencia para localizar cualquier accesorio, póngase en contacto con DEWALT. Llame al **1-800-4-DEWALT (1-800-433-9258)** o visite nuestro sitio web: www.dewalt.com.

Accesorios de impacto

▲ ADVERTENCIA: Sólo use accesorios de impacto. Los accesorios no diseñados para impacto pueden romperse y provocar una situación peligrosa. Revise los accesorios antes de usarlos para asegurar que no contengan grietas.

Reparaciones

El cargador y las unidades de batería no pueden ser reparados. El cargador y la unidad de batería no contienen piezas reparables.

▲ ADVERTENCIA: Para asegurar la SEGURIDAD y la CONFIABILIDAD del producto, las reparaciones, el mantenimiento y los ajustes (inclusive la inspección y el cambio de las escobillas, cuando proceda) deben ser realizados en un centro de mantenimiento en la fábrica DEWALT u en un centro de mantenimiento autorizado DEWALT. Utilice siempre piezas de repuesto idénticas.

Para reparación y servicio de sus herramientas eléctricas, favor de dirigirse al Centro de Servicio más cercano

CULIACAN, SIN

Bldv. Emiliano Zapata 5400-1 Poniente Col. (667) 717 89 99 San Rafael

GUADALAJARA, JAL

Av. La Paz #1779 - Col. Americana Sector Juárez (33) 3825 6978

MEXICO, D.F.

Eje Central Lázaro Cárdenas No. 18 - Local (55) 5588 9377 D, Col. Obrera

MERIDA, YUC

Calle 63 #459-A - Col. Centro (999) 928 5038

MONTERREY, N.L.

Av. Francisco I. Madero 831 Poniente - (818) 375 23 13 Col. Centro

PUEBLA, PUE

17 Norte #205 - Col. Centro (222) 246 3714

QUERETARO, QRO

Av. San Roque 274 - Col. San Gregorio (442) 2 17 63 14

SAN LUIS POTOSI, SLP

Av. Universidad 1525 - Col. San Luis (444) 814 2383

TORREON, COAH

Bldv. Independencia, 96 Pte. - Col. Centro (871) 716 5265

VERACRUZ, VER

Prolongación Díaz Mirón #4280 - Col. Remes (229) 921 7016

VILLAHERMOSA, TAB

Constitución 516-A - Col. Centro (993) 312 5111

PARA OTRAS LOCALIDADES:**Si se encuentra en México, por favor llame al (55) 5326 7100****Si se encuentra en U.S., por favor llame al
1-800-4-DEWALT (1-800-433-9258) o visite nuestro sitio
web: www.dewalt.com****Póliza de Garantía**

IDENTIFICACIÓN DEL PRODUCTO:

Sello o firma del Distribuidor.

Nombre del producto: _____

Mod./Cat.: _____

Marca: _____

Núm. de serie: _____

(Datos para ser llenados por el distribuidor)

Fecha de compra y/o entrega del producto:

Nombre y domicilio del distribuidor donde se adquirió
el producto:

Este producto está garantizado por un año a partir de la fecha de entrega, contra cualquier defecto en su funcionamiento, así como en materiales y mano de obra empleados para su fabricación. Nuestra garantía incluye la reparación o reposición del producto y/o componentes sin cargo alguno para el cliente, incluyendo mano de obra, así como los gastos de transportación razonablemente erogados derivados del cumplimiento de este certificado.

Para hacer efectiva esta garantía deberá presentar su herramienta y esta póliza sellada por el establecimiento comercial donde se adquirió el producto, de no contar con ésta, bastará la factura de compra.

Excepciones

Esta garantía no será válida en los siguientes casos:

- Cuando el producto se hubiese utilizado en condiciones distintas a las normales;
- Cuando el producto no hubiese sido operado de acuerdo con el instructivo de uso que se acompaña;
- Cuando el producto hubiese sido alterado o reparado por personas distintas a las enlistadas al final de este certificado.

Anexo encontrará una relación de sucursales de servicio de fábrica, centros de servicio autorizados y franquiciados en la República Mexicana, donde podrá hacer efectiva su garantía y adquirir partes, refacciones y accesorios originales.

Solamente para propósito de México:
Importado por: DeWALT S.A de C.V.
Antonio Dovali Jaime #70 Torre C Piso 8

Col. Santa Fe Alvaro Obregon,
Ciudad de Mexico, Mexico.

C.P 01210

TEL (52) 55 53267100

R.F.C.BDE8106261W7

Registro en Línea

Gracias por su compra. Registre su producto ahora para:

- **SERVICIO EN GARANTÍA:** Si completa esta tarjeta, podrá obtener un servicio en garantía más eficiente, en caso de que exista un problema con su producto.
 - **CONFIRMACIÓN DE PROPIEDAD:** En caso de una pérdida que cubra el seguro, como un incendio, una inundación o un robo, el registro de propiedad servirá como comprobante de compra.
 - **PARA SU SEGURIDAD:** Si registra el producto, podremos comunicarnos con usted en el caso improbable que se deba enviar una notificación de seguridad conforme a la Federal Consumer Safety Act (Ley Federal de Seguridad de Productos para el Consumidor).
- Registro en línea en www.dewalt.com/account-login.

Garantía limitada de tres añosPara las condiciones de garantía, visite www.dewalt.com/support/warranty.

Para solicitar una copia escrita de los términos de garantía, póngase en contacto con: Servicio al cliente en DeWALT Industrial Tool Co., 701 East Joppa Road, Towson, MD 21286 o llame al **1-800-4-DEWALT (1-800-433-9258)**.

AMÉRICA LATINA: Esta garantía no aplica a productos vendidos en América Latina. Para productos vendidos en América Latina, consulte la información de garantía específica contenida en el empaque, llame a la compañía local o consulte la página de Internet respecto a la información de garantía.

REEMPLAZO GRATUITO DE ETIQUETA DE GARANTÍA:

Si sus etiquetas de advertencia se vuelven ilegibles o se pierden, llame al **1-800-4-DEWALT (1-800-433-9258)** para un reemplazo gratuito.

**Compatible battery packs and chargers / Blocs-piles et chargeurs compatibles /
Baterias y cargadores compatibles**

Battery Packs Bloc-piles Baterías	DCB201, DCB203, DCB203G, DCB204, DCB204BT, DCB205, DCB205G, DCB205BT, DCB206, DCB208, DCB210, DCB230, DCB240, DCB606, DCB609, DCB609G, DCB612, DCB615, DCBP034, DCBP320, DCBP520, DCB2104, DCB2108
Chargers Chargeurs Cargadores	DCB094, DCB102, DCB103, DCB104, DCB107, DCB112, DCB113, DCB115, DCB118, DCB132, DCB1102, DCB1104, DCB1106, DCB1112

▲ WARNING: Use of any other battery packs may create a risk of injury and fire.

▲ AVERTISSEMENT : utiliser d'autres blocs-piles peut créer un risque de blessure ou d'incendie.

▲ ADVERTENCIA: El uso de cualquier otro paquete de batería puede crear un riesgo de lesiones e incendio.

NOTE: DO NOT charge when the battery pack is below 40 ° F (4.5 ° C) or above 104 ° F (40 ° C). Do not store or use the tool and battery pack in locations where the temperature may reach or exceed 104 ° F (40 ° C).

REMARQUE : NE PAS charger lorsque le bloc-piles est en dessous de 4,5 ° C (40 ° F) ou au-dessus de 40 ° C (104 ° F). Ne pas entreposer ou utiliser l'outil et le bloc-piles dans des endroits où la température peut atteindre ou excéder 40 ° C (104 ° F).

NOTA: NO cargue cuando el paquete de batería esté debajo de 4,5 ° C (40 ° F), o arriba de 40 ° C (104 ° F). No almacene ni use la herramienta y el paquete de baterías en lugares donde la temperatura pueda alcanzar o exceder los 40 ° C (104 ° F).

**Maximum initial battery voltage (measured without a workload) is 20, 60 or 120 volts. Nominal voltage is 18, 54 or 108. (120V Max* is based on using 2 DeWALT 60V Max* lithium-ion batteries combined.)*

**La tension initiale maximum du bloc-piles (mesurée à vide) est de 20, 60 ou 120 volts. La tension nominale est de 18, 54 ou 108. (120V max* se base sur l'utilisation combinée de 2 blocs-piles au lithium ion DeWALT de 60V max*.)*

**El máximo voltaje inicial de la batería (medido sin carga de trabajo) es 20, 60 o 120 voltios. El voltaje nominal es de 18, 54 o 108V. (120V Máx* se basan en el uso de 2 baterías de iones de litio DeWALT de 60V Máx* combinadas.)*

DeWALT Industrial Tool Co., 701 East Joppa Road, Towson, MD 21286
Copyright © 2021, 2024, 2025 DeWALT

The following are trademarks for one or more DeWALT power tools: the yellow and black color scheme, the "D" shaped air intake grill, the array of pyramids on the handgrip, the kit box configuration, and the array of lozenge-shaped humps on the surface of the tool.